

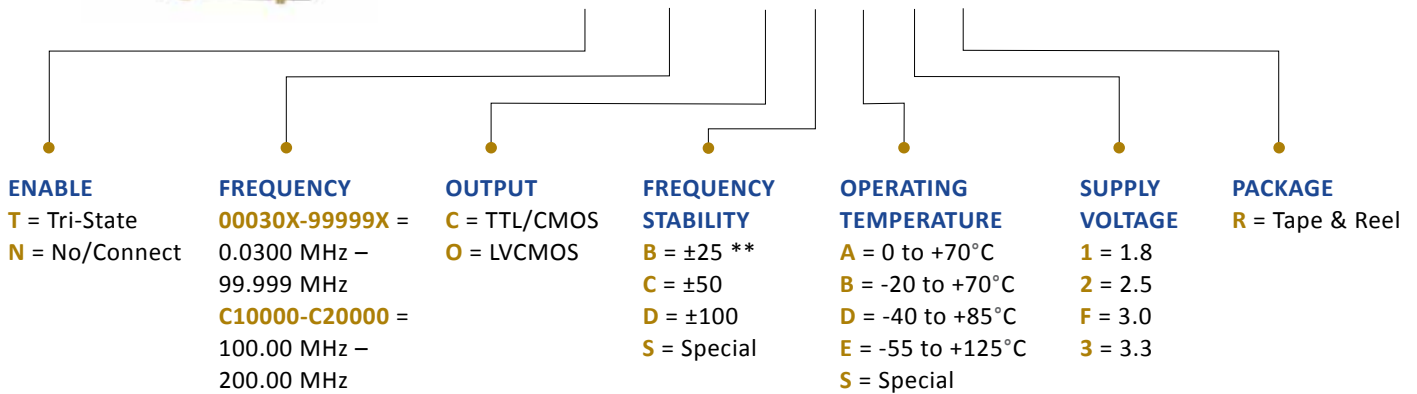
# JL4-Series Specifications



**8.89L x 7.37W x 4.32H (mm)**

PDI Model *JL4-Series* provides precision timing in a hermetically sealed package, and is available in both standard and custom frequencies and configurations. PDI provides quick-turn sampling for your proto-typing needs, mass production capability, and competitive pricing.

ex) **JL4-T-25000X-C-D-A-3-R-X\***



\*\* - Not available -55 to +125°C

\* - for standard or assigned for customization.

Parameter		Supply Voltage <sup>*1</sup> (±10%)				Units
		3.3	3.0	2.5	1.8	V
Frequency Range <sup>*1</sup>		0.030000 to 200.0000				MHz
Frequency Stability <sup>*1</sup>	All Causes (Maximum) <sup>*2</sup>	Per Option				ppm
Temperature Range <sup>*1</sup>	Operating	Per Option				°C
	Storage	-55 to +125				°C
Supply Current (Maximum)	0.030000 to 23.999999 MHz	15	15	15	10	mA
	24.000000 to 49.999999 MHz	20	20	20	12	
	50.000000 to 69.999999 MHz	30	30	30	15	
	70.000000 to 200.000000 MHz	45	45	45	25	
Output Load		Per Option				
Duty Cycle (at 50% Vcc)		15pF/10 TTL gates				
Rise/Fall Times (Maximum)	Rise Time (10% to 90% Vcc)	8	8	7	6	ns
	Fall Time (90% to 10% Vcc)	8	8	7	6	
Start up Time (Maximum)		40 to 60% (45 to 55% option)				
Output Voltage Levels	High (Minimum)	10				% Vcc
	Low (Maximum)	90				
Pin 1 (Tri-State) (Option)	High (See below) or Open	Enable				
	Low (See below) <sup>*3</sup>	Disable				
	High Value (Minimum)	80	80	80	80	% Vcc
	Low Value (Maximum) <sup>*3</sup>	20	20	20	20	% Vcc
	Disable Current (Maximum) <sup>*3</sup>	10	10	10	10	uA
	Enable Delay Time (Maximum)	10				ms
Disable Delay Time (Maximum)	150				ns	

\*1 - Not all Frequency/Temperature/Voltage combinations are available.

\*2 - Inclusive of Tolerance @25°C, Operating Temperature, Supply Voltage, Load, Aging, Shock and Vibration.

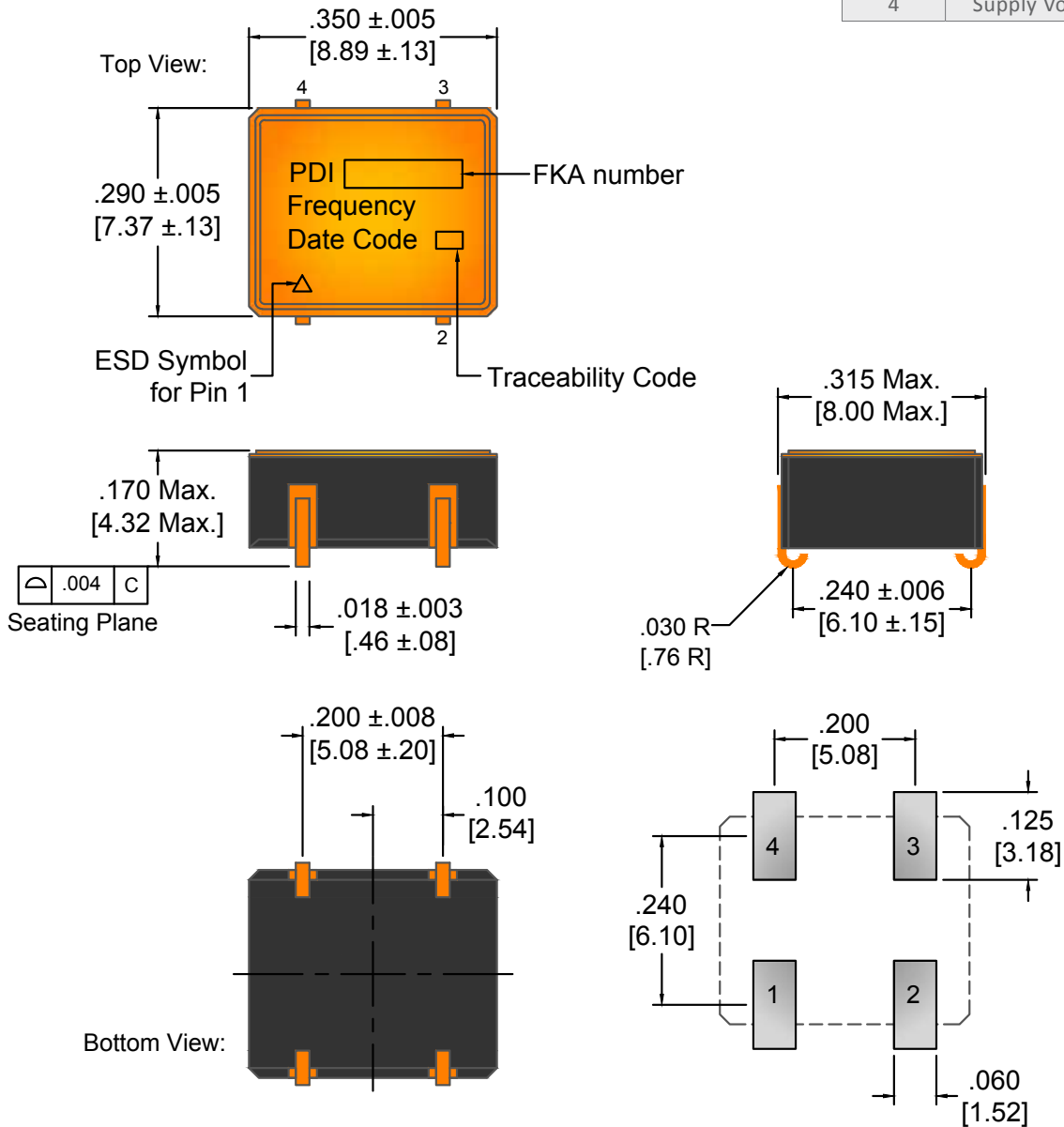
\*3 - Internal crystal oscillation halted.

# JL4-Series 8.89 x 7.37 x 4.32 (mm)

## PACKAGE DIMENSIONS

Decimal XXX = ± .008, XX = ± .02 Metric [XXX = ± .20], [XX = ± .50]

PIN	CONNECTION
1	Tri-State or No Connect
2	Ground/Case
3	Output
4	Supply Voltage



**NOTES:**

Other options are available, please consult factory.  
 All product is supplied RoHS and REACH compliant.  
 Product can be supplied on Tape and Reel, on reels of 1,000 units.  
 Specifications subject to change without notice, last updated 4/1/13.

# JL4-Series 8.89 x 7.37 x 4.32 (mm)

1. Material: Black Conductive Polystyrene or equivalent.
2. 10 Sprocket Hole pitch cumulative tolerance of  $\pm 0.008$ .
3. Camber in compliance with EIA 481.
4. Empty pockets: Trailing end (Minimum) 200 mm. and Leading end (Minimum) 400 mm.
5. Pocket position relative to sprocket hole measured as true position of pocket, not pocket hole.

