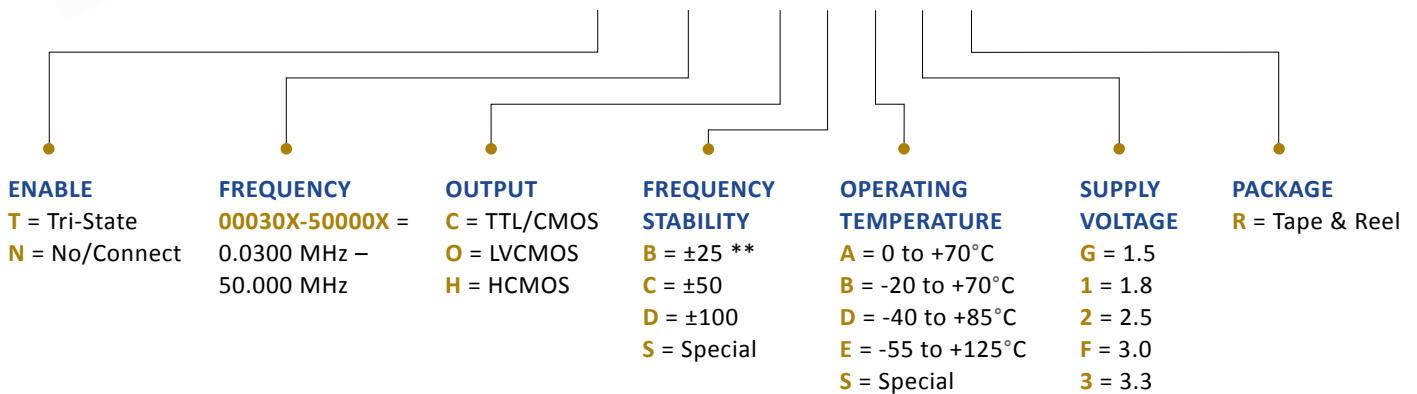


# OC2-Series Specifications

**2.50L x 2.00W x 1.00H (mm)**

PDI Model *OC2-Series* provides precision timing in a hermetically sealed package, and is available in both standard and custom frequencies and configurations. PDI provides quick-turn sampling for your proto-typing needs, mass production capability, and competitive pricing.

ex) **OC2—T—25000X—C—B—B—2—R—X\***



\*\* - Not available -55 to +125°C

\* - for standard or assigned for customization.

Parameter	Supply Voltage*1 (±10%)					Units	
	3.3	3.0	2.5	1.8	1.5		
Frequency Range *1	0.030000 to 50.000000					MHz	
Frequency Stability *1	All Causes (Maximum) *2 Per Option					ppm	
Temperature Range *1	Operating Per Option					°C	
	Storage - 55 to +125					°C	
Supply Current (Maximum)	0.030000 to 9.999999 MHz	8	8	7	6	5	mA
	10.000000 to 34.999999 MHz	10	10	8	7	6	
	35.000000 to 50.000000 MHz	25	25	20	15	15	
Output Load	Per Option 15pF/10 TTL gates						
Duty Cycle (at 50% Vcc)	40 to 60% (45 to 55% option)						
Rise/Fall Times (Maximum)	Rise Time (10% to 90% Vcc)	7	7	6	5	5	ns
	Fall Time (90% to 10% Vcc)	7	7	6	5	5	
Start up Time (Maximum)	10					ms	
Output Voltage Levels	High (Minimum)	90					% Vcc
	Low (Maximum)	10					
Pin 1 (Tri-State) (Option)	High (See below) or Open	Enable					
	Low (See below) *3	Disable					
	High Value (Minimum)	80	80	80	80	80	% Vcc
	Low Value (Maximum) *3	20	20	20	20	20	% Vcc
	Disable Current (Maximum) *3	10	10	10	10	10	µA
	Enable Delay Time (Maximum)	10					ms
Disable Delay Time (Maximum)	150					ns	

\*1 - Not all Frequency/Temperature/Voltage combinations are available.

\*2 - Inclusive of Tolerance @25°C, Operating Temperature, Supply Voltage, Load, Aging, Shock and Vibration.

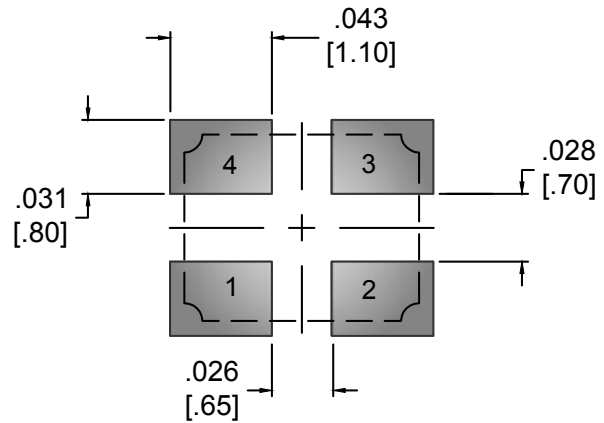
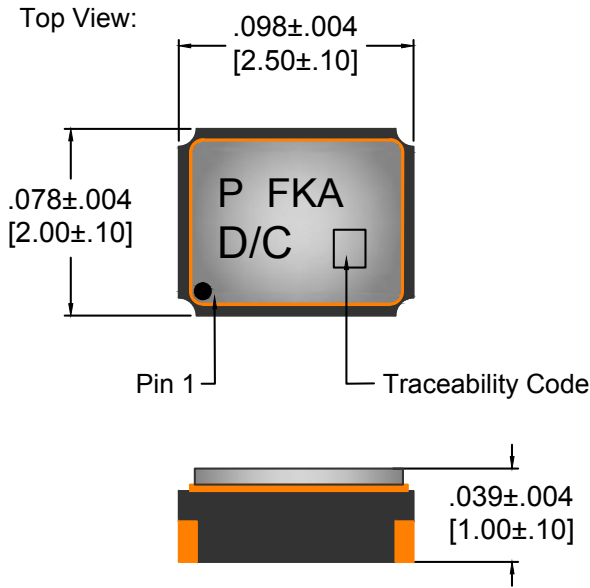
\*3 - Internal crystal oscillation halted.

# OC2-Series 2.50 x 2.00 x 1.00 (mm)

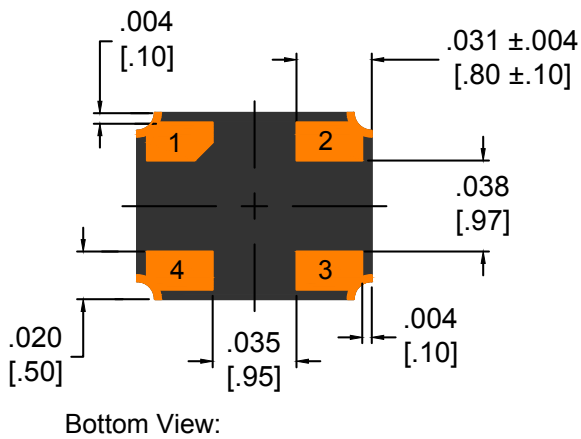
## PACKAGE DIMENSIONS

Decimal XXX = ± .008, XX = ± .02 Metric [XXX = ± .20], [XX = ± .50]

PIN	CONNECTION
1	Tri-State or No Connect
2	Ground/Case
3	Output
4	Supply Voltage



Recommended Land Pattern  
(Top View)



**NOTES:**

Terminals are Au.  
 Other options are available, please consult factory.  
 All product is supplied *RoHS* and *REACH* compliant.  
 Product can be supplied on Tape and Reel, on reels of 1,000 units.  
 Specifications subject to change without notice, last updated 4/1/13.

# OC2-Series 2.50 x 2.00 x 1.00 (mm)

1. Material: Black Conductive Polystyrene or equivalent.
2. 10 Sprocket Hole pitch cumulative tolerance of  $\pm 0.008$ .
3. Camber in compliance with EIA 481.
4. Empty pockets: Trailing end (Minimum) 200 mm. and Leading end (Minimum) 400 mm.
5. Pocket position relative to sprocket hole measured as true position of pocket, not pocket hole.

