

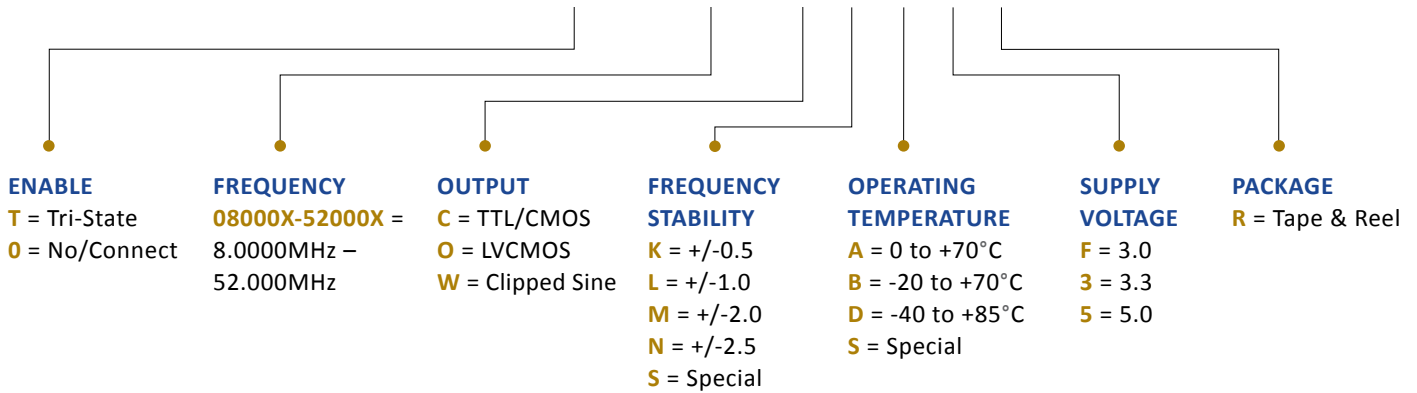
TC07-Series Specifications



7.00L x 5.00W x 2.30H (mm)

PDI *TC07-Series* Temperature Compensated Crystal Oscillator (TCXO) ensures a precise frequency under demanding circumstances. With ultra-low phase noise, low jitter, and excellent performance in high vibration environments this TCXO available, in both standard and custom frequencies. PDI provides fast sampling for your proto-typing needs, mass production capability, and competitive pricing.

ex) **TC-T-7-25000X-C-N-D-3-R-X***



* - for standard or assigned for customization.

| Parameters | | Clipped Sinewave | CMOS | Units |
|---------------------------------------|--|---|-----------------------|--------|
| Frequency Range *1 | | 8.000000 to 52.000000 | 8.000000 to 52.000000 | MHz |
| Frequency Stability *1 | vs Temperature (Max.) | Per Option | Per Option | ppm |
| | vs Supply Voltage (Max.) | ±0.2 | ±0.2 | |
| | vs Load (Max.) | ±0.2 | ±0.2 | |
| | vs Aging (Max 1st year) | ±1 | ±1 | |
| | Calibration (@ +25°C) 1 Hour After Reflow (Max) | ±2 | ±2 | |
| Temperature Range *1 | Operating | Per Option | Per Option | °C |
| | Storage | -55 to +125 | -55 to +125 | |
| Supply Voltage *1 | | Per Option | Per Option | V |
| Supply Current (Max) | | 5.0 | 10.0 | mA |
| Waveform | | Clipped Sinewave 0.8V Peak to Peak Min | CMOS | |
| Output | Low Level Output Voltage (Max) | N/A | 10 | %Vcc |
| | High Level output Voltage (Min) | N/A | 90 | %Vcc |
| | Duty Cycle (Max) | N/A | 40/60 | % |
| Load | | 10 kΩ//10pF | 15pF | |
| Start Up Time (Max) | | 3.0 | 3.0 | ms |
| Phase Noise (Typical For 26.0 MHz) | @ 100 Hz | -110 | -110 | dBc/Hz |
| | @ 1 kHz | -130 | -130 | |
| | @ 10 kHz | -145 | -145 | |
| | @ 100 kHz | -145 | -145 | |

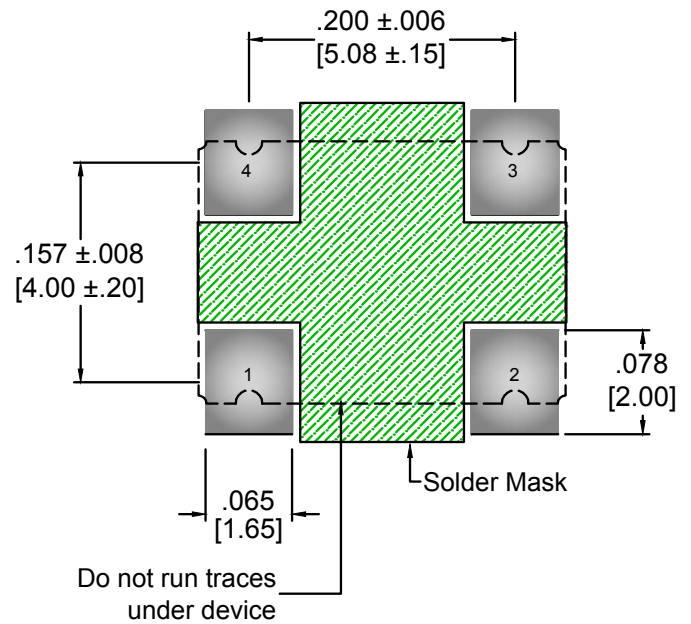
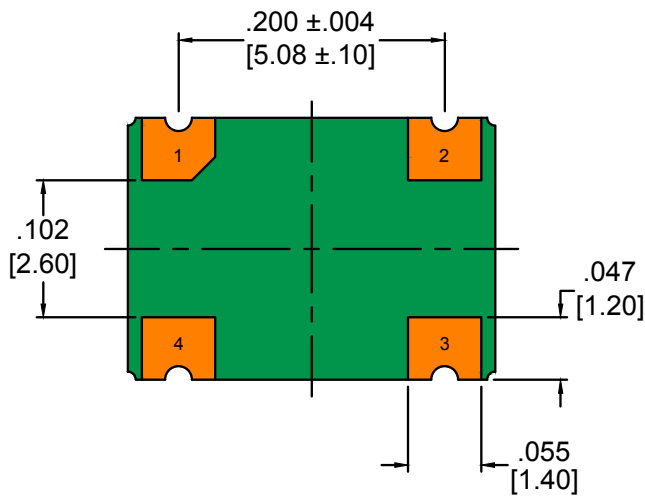
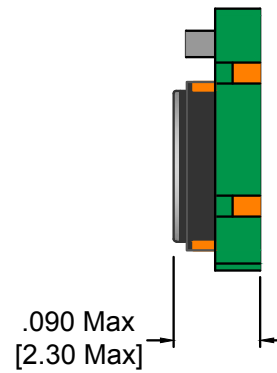
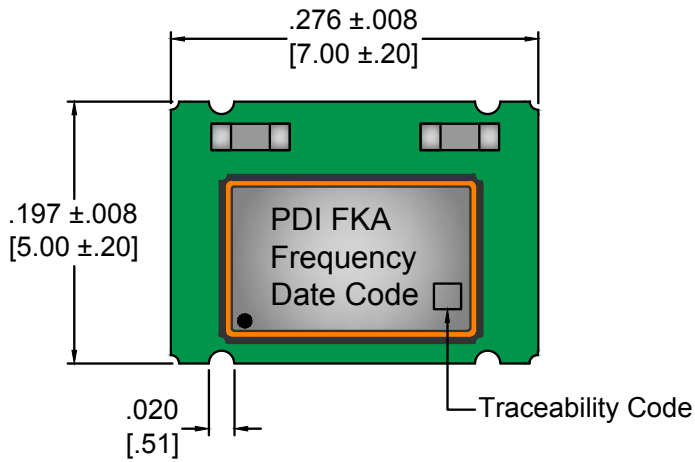
*1 - Not all Frequency/Temperature/Voltage combinations are available.

TC07-Series 7.00 x 5.00 x 2.30 (mm)

PACKAGE DIMENSIONS

Decimal XXX = ± .008, XX = ± .02 Metric [XXX = ± .20], [XX = ± .50]

| PIN | CONNECTION |
|-----|-------------------------|
| 1 | Tri-State or No Connect |
| 2 | Ground/Case |
| 3 | Output |
| 4 | Supply Voltage |



Recommended Land Pattern
Top View



NOTES:

Terminals are Au.
Other options are available, please consult factory.
All product is supplied RoHS and REACH compliant.
Product can be supplied on Tape and Reel, on reels of 1,000 units.
Specifications subject to change without notice, last updated 4/1/13.

TC07-Series 7.00 x 5.00 x 2.30 (mm)

1. Material: Black Conductive Polystyrene or equivalent.
2. 10 Sprocket Hole pitch cumulative tolerance of $\pm .008$.
3. Camber in compliance with EIA 481.
4. Empty pockets: Trailing end (Minimum) 200 mm. and Leading end (Minimum) 400 mm.
5. Pocket position relative to sprocket hole measured as true position of pocket, not pocket hole.

