

OC3-Series Specifications

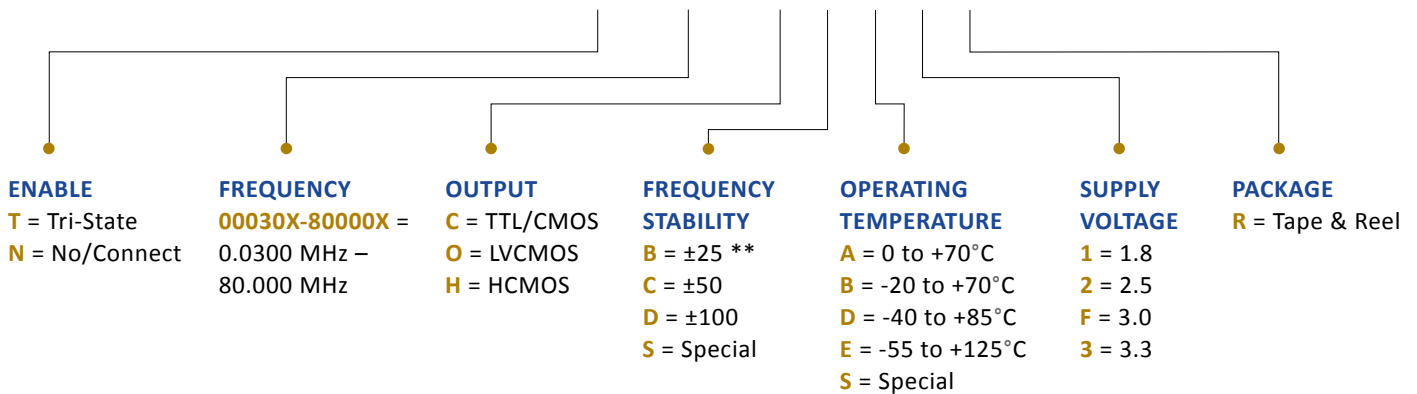


3.20L x 2.50W x 1.00H (mm)



PDI Model *OC3-Series* provides precision timing in a hermetically sealed package, and is available in both standard and custom frequencies and configurations. PDI provides quick-turn sampling for your proto-typing needs, mass production capability, and competitive pricing.

ex) **OC3—T—25000X—C—D—A—3—R—X***



** - Not available -55 to +125°C

* - for standard or assigned for customization.

Parameter		Supply Voltage ^{*1} (±10%)				Units
		3.3	3.0	2.5	1.8	V
Frequency Range ^{*1}		0.030000 to 80.000000				MHz
Frequency Stability ^{*1}	All Causes (Maximum) ^{*2}	Per Option				ppm
Temperature Range ^{*1}	Operating	Per Option				°C
	Storage	- 55 to +125				°C
Supply Current (Maximum)	0.030000 to 9.999999 MHz	15	8	7	6	mA
	10.000000 to 34.999999 MHz	20	10	8	7	
	35.000000 to 49.999999 MHz	35	25	20	15	
	50.000000 to 80.000000 MHz	40	35	30	25	
Output		Per Option				
Load		15pF/10 TTL gates				
Duty Cycle (at 50% Vcc)		40 to 60% (45 to 55% option)				
Rise/Fall Times (Maximum)	Rise Time (10% to 90% Vcc)	7	7	6	5	ns
	Fall Time (90% to 10% Vcc)	7	7	6	5	
Start up Time (Maximum)		10				ms
Output Voltage Levels	High (Minimum)	90				% Vcc
	Low (Maximum)	10				
Pin 1 (Tri-State) (Option)	High (See below) or Open	Enable				
	Low (See below) ^{*3}	Disable				
	High Value (Minimum)	80	80	80	80	% Vcc
	Low Value (Maximum) ^{*3}	20	20	20	20	% Vcc
	Disable Current (Maximum) ^{*3}	10	10	10	10	uA
	Enable Delay Time (Maximum)	10				ms
	Disable Delay Time (Maximum)	150				ns

*1 - Not all Frequency/Temperature/Voltage combinations are available.

*2 - Inclusive of Tolerance @25°C, Operating Temperature, Supply Voltage, Load, Aging, Shock and Vibration.

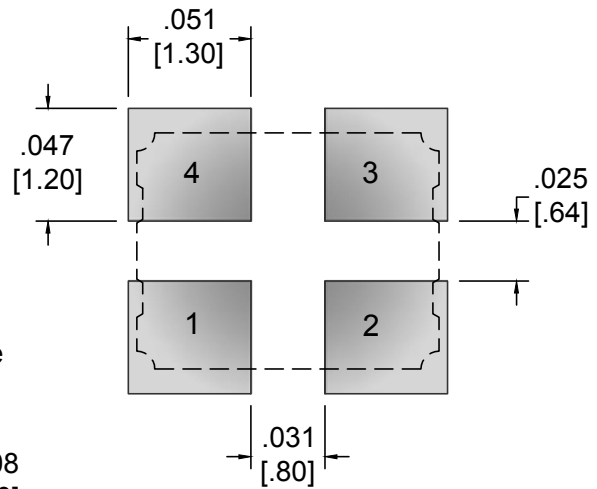
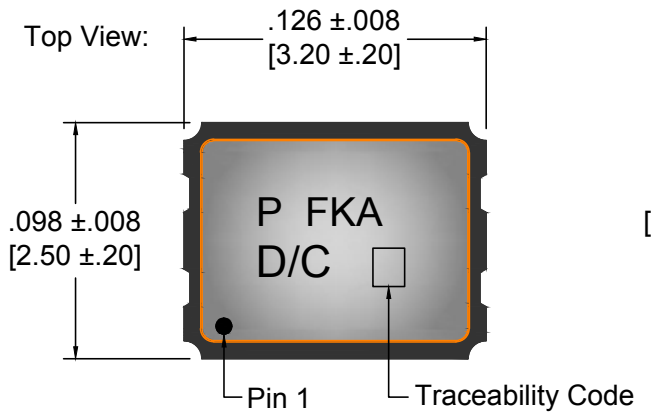
*3 - Internal crystal oscillation halted.

OC3-Series 3.20 x 2.50 x 1.00 (mm)

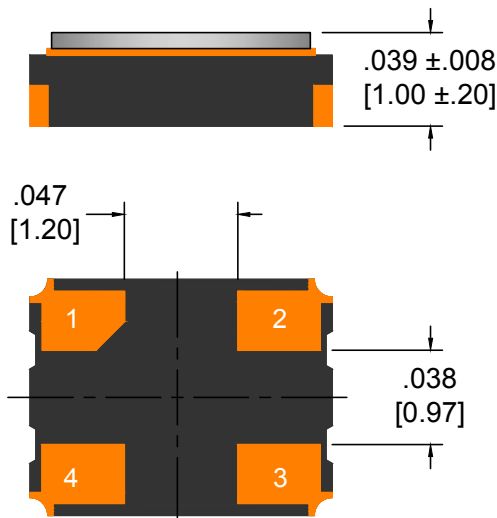
PACKAGE DIMENSIONS

Decimal XXX = ± .008, XX = ± .02 Metric [XXX = ± .20], [XX = ± .50]

PIN	CONNECTION
1	Tri-State or No Connect
2	Ground/Case
3	Output
4	Supply Voltage



Recommended Land Pattern
(Top View)



Bottom View:



NOTES:

Terminals are Au.
 Other options are available, please consult factory.
 All product is supplied RoHS and REACH compliant.
 Product can be supplied on Tape and Reel, on reels of 1,000 units.
 Specifications subject to change without notice, last updated 4/1/13.

OC3-Series 3.20 x 2.50 x 1.00 (mm)

1. Material: Black Conductive Polystyrene or equivalent.
2. 10 Sprocket Hole pitch cumulative tolerance of $\pm .008$.
3. Camber in compliance with EIA 481.
4. Empty pockets: Trailing end (Minimum) 200 mm. and Leading end (Minimum) 400 mm.
5. Pocket position relative to sprocket hole measured as true position of pocket, not pocket hole.

