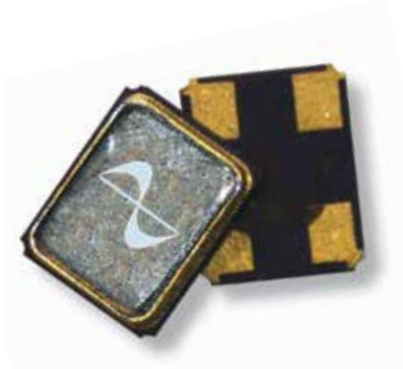


CS-Series Specifications

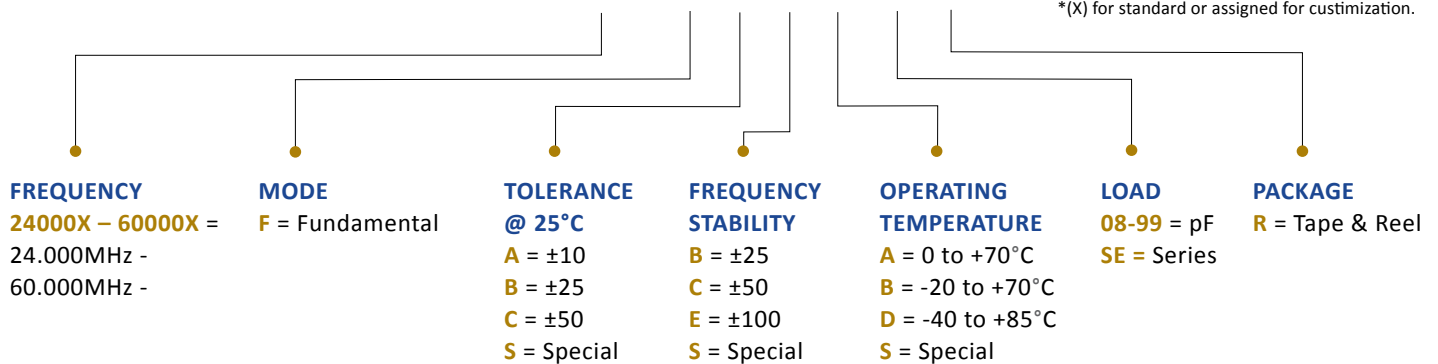


2.00L x 1.60W x 0.60H (mm)

PDI CS-Series is a hermetically sealed quartz crystal in a seam-welded ceramic SMT package. This crystal, designed to meet your most demanding specification, is available in standard or custom frequencies and/or with customized parameters. PDI provides quick-turn sampling for your proto-typing needs, mass production capability, and competitive pricing.

ex) **CS-25000X-F-B-C-B-18-R-X***

*(X) for standard or assigned for customization.

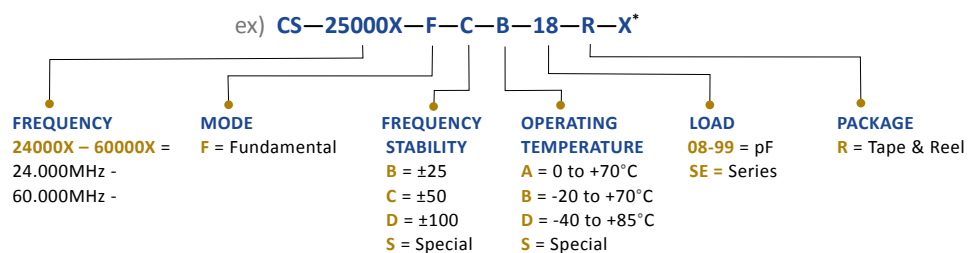


See below for legacy part numbering configuration for parts designed prior to 02-01-2014, which are still available

Parameter		Mode	
		Fundamental	Units
Frequency Range *1		24.000000 to 60.000000	MHz
Frequency Tolerance	@ +25°C	Per Option	ppm
Temperature Range *1	Operating	Per Option	°C
	Storage	- 55 to +125	°C
Frequency Stability *1	Over Operating Temperature	Per Option	ppm
Equivalent Series Resistance (Maximum)	24.000000 to 26.000000 MHz	80	Ω
	26.000000 to 40.000000 MHz	60	
	40.000000 to 60.000000 MHz	50	
Drive Level (Typical)		10	uW
Shunt Capacitance (Maximum)		5.0	pF
Load Capacitance (Typical)		Per Option	pF
Aging (Maximum)	Per Year	±5.0	ppm
Seal Method		Seam Weld	
Insulation Resistance		500MΩ Minimum @100Vdc ±15V	

*1 - Not all Frequency/Stability/Temperature combinations are available.

Legacy Part Numbering Configuration

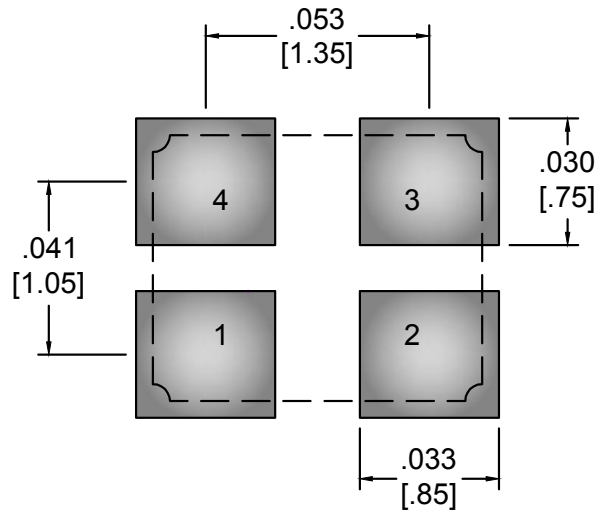
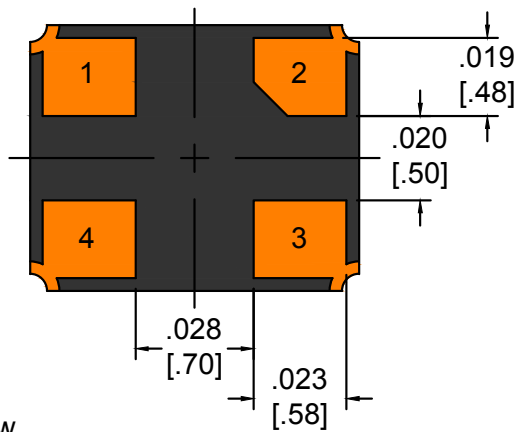
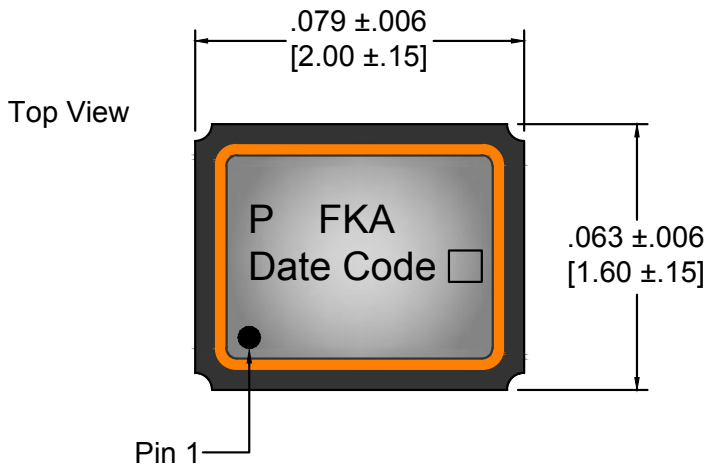


CS-Series 2.00 x 1.60 x 0.60 (mm)

PACKAGE DIMENSIONS

Decimal XXX = ± .008, XX = ± .02 Metric [XXX = ± .20], [XX = ± .50]

PIN	CONNECTION
1	Crystal
2	Ground/Cover
3	Crystal
4	Ground/Cover



Reccomended Land Pattern (Top View)



NOTES:

Terminals are Au.
 Other options are available, please consult factory.
 All product is supplied *RoHS* and *REACH* compliant.
 Product can be supplied on Tape and Reel, on reels of 1,000 units.
 Specifications subject to change without notice, last updated 4/1/13.

CS-Series 2.00 x 1.60 x 0.60 (mm)

1. Material: Black Conductive Polystyrene or equivalent.
2. 10 Sprocket Hole pitch cumulative tolerance of ± 0.008
3. Camber in compliance with EIA 481
4. Empty pockets: Trailing end (Minimum) 200 mm. and Leading end (Minimum) 400 mm.
5. Pocket position relative to sprocket hole measured as true position of pocket, not pocket hole.

