

FEATURES

- TIGHT TOLERANCE AND STABILITY OVER TEMPERATURE
- WIDE FREQUENCY RANGE
- EXCELLENT FREQUENCY SOURCE FOR TELECOM APPLICATIONS

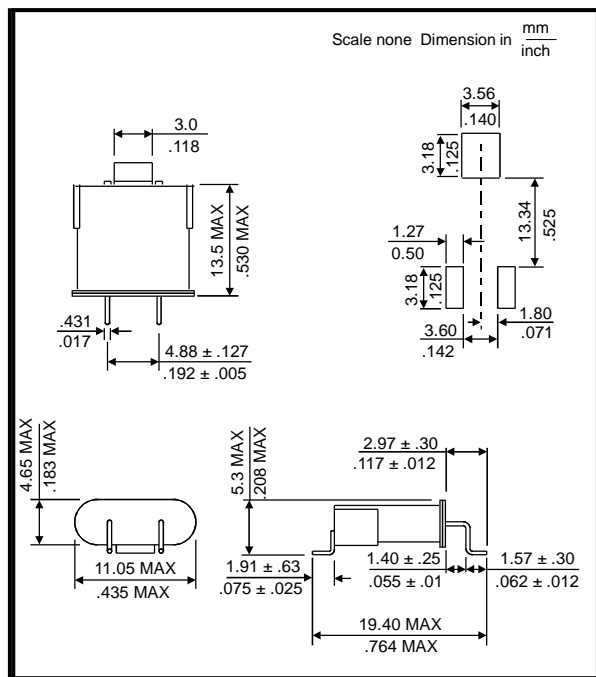
SPECIFICATIONS

FREQUENCY RANGE		1.00 MHz TO 360.00 MHz
HOLDER TYPES	A-SMD: HC-49/U-SMD	1.00 MHz TO 360.00 MHz
	C-SMD: UM-1 SMD	8.00 MHz TO 200.00 MHz
FREQUENCY TOLERANCE AT 25° C		±5 PPM TO ±25 PPM
FREQUENCY STABILITY OVER TEMPERATURE RANGE		±3PPM TO ±10PPM(-10°C TO +60°C) ±15 TO ±50 PPM (-40°C TO +85°C)
EXTENDED TEMPERATURE RANGE		-40°C TO +85°C MAXIMUM
LOAD CAPACITANCE		10 pF TO 32 pF OR SERIES
AGING PER YEAR		±3 PPM MAXIMUM
MODE OF OSCILLATION (SEE PAGE 2)		FUNDAMENTAL TO NINTH OVERTONE
EQUIVALENT SERIES RESISTANCE (ESR)		SEE PAGE 2
DRIVE LEVEL		0.1 mW TYPICAL

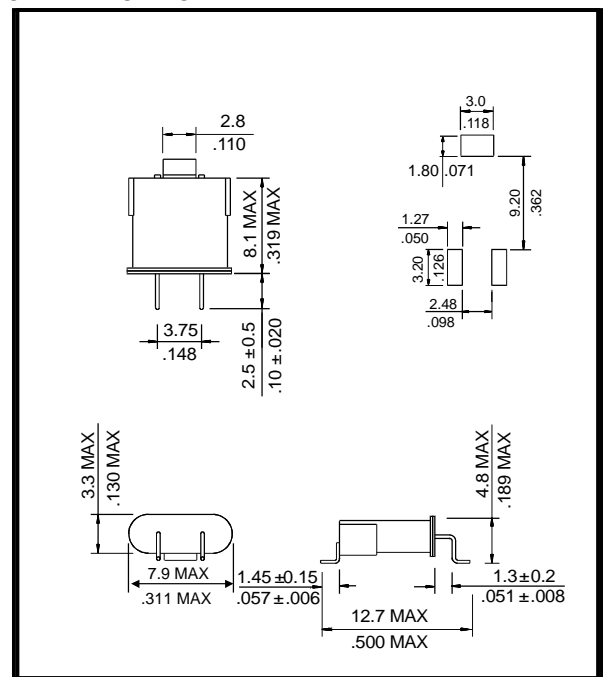


OUTLINE DRAWINGS

A-SMD TYPE: HC-49/U-SMD



C-SMD TYPE: UM-1-SMD



PART NUMBERING SYSTEM

HOLDER TYPE		FREQUENCY	LOAD CAPACITANCE	MODE		TOLERANCE/STABILITY	EXTENDED TEMPERATURE	SURFACE MOUNT	
A	HC-49/U-SMD	IN MHZ	10 TO 32pF FOR PARALLEL S FOR SERIES	F	FUNDAMENTAL	EX. 1010, 1530 (PPM / PPM)	EXT	SMD	
C	UM-1-SMD			3OT	THIRD OVERTONE				5OT

EXAMPLE: A-32.000-20-3OT-SMD
C-100.00-S-5OT-SMD

● EQUIVALENT SERIES RESISTANCE VERSUS FREQUENCY AND PACKAGE

FREQUENCY MHz	HOLDER TYPE		ESR		
	HC-49/U "A"	UM-1 "C"	"	"A"	"C"
1.000	A			700	
1.843	A			700	
2.000	A			500	
2.097152	A			500	
2.4576	A			400	
3.000	A			200	
3.2768	A			180	
3.579545	A			180	
3.600	A			160	
3.6864	A			140	
4.000	A			80	
4.096	A			80	
4.194304	A			80	
4.433619	A			80	
4.9152	A			60	
5.000	A			60	
5.0688	A			60	
5.185	A			60	
5.7143	A			50	
5.9904	A			50	
6.000	A			50	
6.144	A			40	
6.400	A			40	
6.5536	A			40	
7.000	A			30	
7.15909	A			30	
7.3728	A			30	
8.000	A	C		30	
9.216	A	C		30	
9.8304	A	C		30	
10.000	A	C		25	50
10.738635	A	C		25	50
11.000	A	C		25	50
11.050	A	C		25	50

FREQUENCY MHz	HOLDER TYPE		ESR		
	HC-49/U "A"	UM-1 "C"	"A"	"C"	
11.059	A	C	25	50	
12.000	A	C	25	40	
12.288	A	C	25	40	
13.5168	A	C	25	40	
14.31818	A	C	25	35	
14.7456	A	C	25	35	
15.000	A	C	25	35	
16.000	A	C	25	30	
16.384	A	C	25	35	
17.360	A	C	25	30	
18.000	A	C	20	25	
18.432	A	C	20	30	
19.354	A	C	20	30	
19.6608	A	C	20	30	
20.000	A	C	20	30	
22.1184	A	C	20	25	
23.400	A	C	20	25	
24.000	A	C	20	25	
24.576	A	C	30	25	
25.000	A	C	30	20	
27.000	A	C	30	20	
30.000	A	C	30	20	
32.000	A	C	30	60	
36.000	A	C	30	60	
40.000	A	C	30	50	
48.000	A	C	30	50	
60.000	A	C	30	40	
70.000	A	C	30	40	
80.000	A	C	30	40	
90.000	A	C	40	40	
100.000	A	C	40	100	
150.000	A	C	50	70	
200.000	A	C	100	120	
300.000	A		150		

● FREQUENCY RANGE AND MODE OF OSCILLATION BY HOLDER TYPE

HOLDER TYPE	FUNDAMENTAL (FUND)	THIRD OVERTONE (3OT)	FIFTH OVERTONE (5OT)	SEVENTH OVERTONE (7OT)	NINTH OVERTONE (9OT)
TYPE A: HC-49/U	1.00 MHz TO 65.00 MHz	20.00 MHz TO 90.00 MHz	60.00 MHz TO 130.00 MHz	125.00 MHz TO 200.00 MHz	180.00 MHz TO 300.00 MHz
TYPE C: UM-1	8.00 MHz TO 65.00 MHz	25.00 MHz TO 90.00 MHz	60.00 MHz TO 130.00 MHz	125.00 MHz TO 200.00 MHz	