

TUNING FORK CS-146

- Photolithography finished allows uniform stable performance
- Excellent shock resistance and environmental capability
- Low power consumption
- Suitable for time-keeping of clock and micro computer



ELECTRICAL SPECIFICATIONS

Frequency Range	32.768kHz, 75.000kHz
Operating Temperature Range	-10 to +60°C(STD), -40 to +85°C
Storage Temperature Range	-55 to +125°C
Frequency Tolerance (at 25°C)	±20(STD), ±50ppm
Peak Temperature (frequency)	25 ±5°C
Frequency Stability	-0.04ppm/(change in °C) ² max.Parabolic
Load Capacitance(CL)	7pF, 12.5pF(STD)
Drive Level	1.0μW max.
Series Resistance(R1)	65kΩ max(32.768kHz), 50kΩ max(75kHz)
Motional Capacitance(C1)	0.6~2.5 fF
Shunt Capacitance(Co)	0.5~1.2 pF
Insulation Resistance	500MΩ min. at 100V _{DC}
Aging (at 25°C)	±3.0ppm/year max.

PART NUMBERING GUIDE

S P 125 20 A - 32.768 - G T&R

PACKAGE TYPE
T : CH-206
U : CH-308
V : CS-146
W : CS-306
X : CS-519

LOAD CAPACITANCE
125 : 12.5 pF
60 : 6.0pF

FREQUENCY TOLERANCE AT 25°C
20 : ±20 ppm

PACKAGE OPTION
BLANK : BULK
T&R : TAPE and REEL

AVAILABLE OPTION
S : STRAIGHT LEAD
G : GULL WING

FREQUENCY (kHz)
32.768

OPERATING TEMPERATURE RANGE
A = -10 TO +60

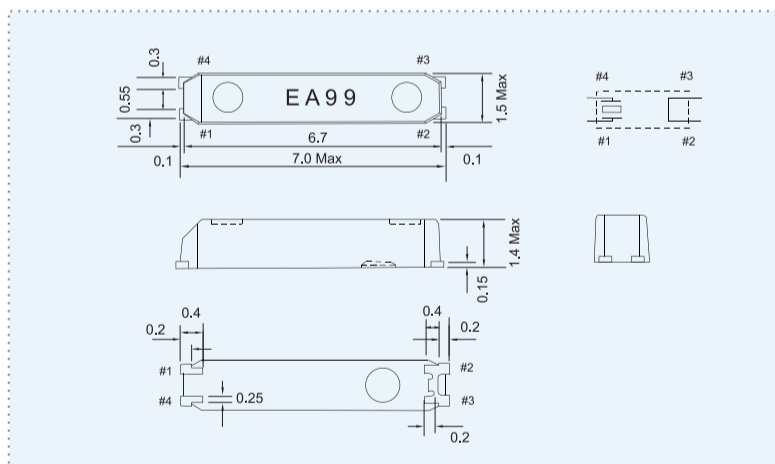
PARABOLIC TEMPERATURE CURVE

FREQUENCY (Δf/f(ppm))

TEMPERATURE (°C)

MECHANICAL DIMENSIONS

(mm)



LAND PATTERN

(mm)

