

# OC-M Type

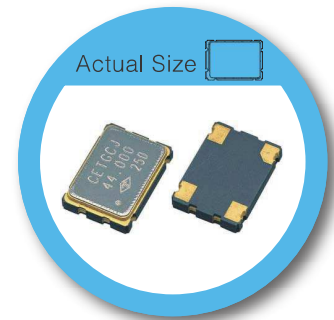
## 7.0 x 5.0 mm SMD Crystal Oscillator

### FEATURE

- Typical 7.0 x 5.0 x 1.3 mm ceramic SMD package.
- Output frequency up to 200 MHz
- Tri-state enable/disable

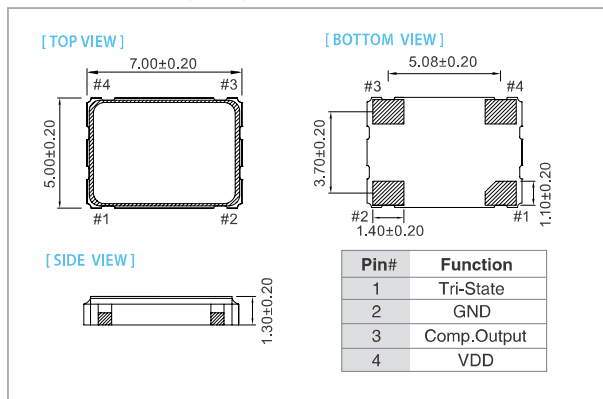
### TYPICAL APPLICATION

- xDSL, WLAN, Fiber/10G-Bit Ethernet
- Notebook, PDA
- PC main board, VGA card

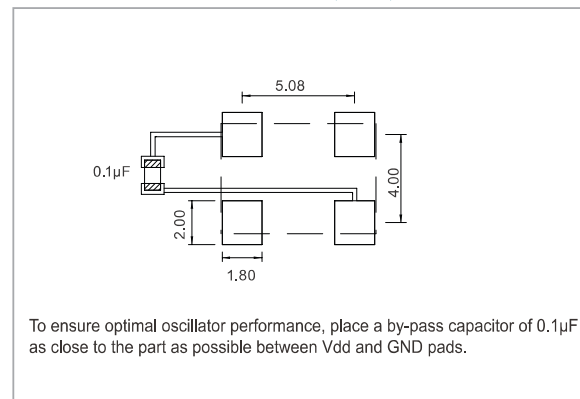


RoHS Compliant

### DIMENSION (mm)



### SOLDER PAD LAYOUT (mm)



### ELECTRICAL SPECIFICATION

Parameter	3.3 V		2.5 V		1.8 V		unit
	Min.	Max.	Min.	Max.	Min.	Max.	
<b>Supply Voltage Variation (V<sub>DD</sub>)</b>	V <sub>DD</sub> -10%	V <sub>DD</sub> +10%	V <sub>DD</sub> -10%	V <sub>DD</sub> +10%	V <sub>DD</sub> -10%	V <sub>DD</sub> +10%	V
<b>Frequency Range</b>	2.048	200	2.048	166	2.048	110	MHz
<b>V<sub>DD</sub> Sensitivity (±10 %)</b>	-2	2	-2	2	-2	2	ppm
<b>Supply Current</b>	2.048 MHz ≤ F <sub>o</sub> ≤ 110 MHz	—	20	—	15	—	mA
	110 MHz < F <sub>o</sub> ≤ 166 MHz	—	25	—	20	—	
	166 MHz < F <sub>o</sub> ≤ 200 MHz	—	30	—	—	—	
<b>Duty Cycle</b>	40	60	40	60	40	60	%
<b>Output Level (CMOS)</b>	Output High (Logic "1")	2.97	—	2.25	—	1.62	V
	Output Low (Logic "0")	—	0.33	—	0.25	—	
<b>Transition Time: Rise/Fall Time<sup>+</sup></b>	2.048 MHz ≤ F <sub>o</sub> ≤ 200 MHz						nSec
<b>Start Time</b>	—	5	—	5	—	5	mSec
<b>Tri-State (Input to Pin 1)</b>	Enable (High voltage or floating)	2.31	—	1.75	—	1.26	V
	Disable (Low voltage or GND)	—	0.99	—	0.75	—	
<b>Period Jitter (Pk-Pk)</b>	Specific Frequency <sup>''</sup>	—	40	—	40	—	pSec
	Others	—	200	—	200	—	
<b>Standby Current</b>	—	15	—	15	—	15	µA
<b>Aging ( @ 25°C 1st year)</b>	—	±3	—	±3	—	±3	ppm
<b>Storage Temp. Range</b>	-55	125	-55	125	-55	125	°C

Standard frequencies are frequencies which the crystal has been designed and does not imply a stock position.

<sup>+</sup> Transition times are measured between 10% and 90% of V<sub>DD</sub>, with an output load of 15pF.

<sup>''</sup> Specific frequencies include 4.0, 6.0, 8.0, 12.0, 13.0, 16.0, 19.2, 20.0, 24.0, 26.0, 32.0, 38.4 and 40.0MHz

### FREQ. STABILITY vs. TEMP. RANGE

Temp. (°C)	ppm	±20	±25	±50
-10 ~ +60	○	○	○	○
-20 ~ +70	△	○	○	○
-40 ~ +85	△	○	○	○

\* ○ : Available △ : Conditional X : Not available

\* Inclusive of calibration @ 25 °C, operating temperature range, input voltage variation, load variation, aging (1<sup>st</sup> year), shock, and vibration

**Note: not all combination of options are available. Other specifications may be available upon request.**

Specifications subject to change without notice.

Rev(11)05/2017  
[www.tai-tien.com](http://www.tai-tien.com)  
[sales@tai-tien.com.tw](mailto:sales@tai-tien.com.tw)

# Model Numbering Guide – Crystal Oscillator

## Available options

Type	package (mm)	Supply Voltage(V)	Tri-State Function	Freq. Stability (ppm)	Temp. Range(°C)	Output Logic and Symmetry	Oscillator Mode	Appearance	Lead Free	Dash	Freq. (MHz)
O: Oscillator	Z:2.0 x 1.6 Y:2.5 x 2.0 X:3.2 x 2.5 V:5.0 x 3.2 C:7.0 x 5.0	E: 2.8/3.0/3.3 J: 2.5 K: 1.8 P: 1.5 L: 1.2 M: 0.9	T: Fixed-Freq with Tri-State M: Multiplier Freq with Tri-State(only for V/C package) U: Ultra Low Noise design	A: ±5 B: ±10 P: ±15 C: ±20 D: ±25 E: ±30 F: ±40 G: ±50 H: ±100	E: 0~+85 I: -10~+60 C: -20~+70 D: -30~+85 L: -40~+85 J: -40~+105 H: -40~+125 F: -55~+125	J: CMOS 15pF / 50±5% K: CMOS 15pF / 50±10%					
P: Programmable Oscillator	Y: 2.5 x 2.0 X: 3.2 x 2.5	E: 2.8/3.0/3.3 J: 2.5 K: 1.8	T: Fixed-Freq with Tri-State	C: ±20 D: ±25 G: ±50 H: ±100		J: CMOS 15pF / 50±5%	A: AT Fundamental T: AT 3rd Overtone	N :Normal	F: RoHS Compliant	-	XX.XXXXXX
O: Oscillator (Differential Output)	A:3.2x2.5 W:5.0x3.2 T:7.0x5.0	E: 3.3 J: 2.5	T: Input to pin 2 (std.) R: Input to pin 1 (case by case ) U: Ultra Low Jitter design (Only for T package)	D: ±25 G: ±50 H: ±100	I: -10~+60 C: -20~+70 D: -30~+85 L: -40~+85	L: LVPECL / 50±5% V: LVDS / 50±5% H: HCSL / 50±5%	Not Selectable by Customer				
O: Oscillator (Fast Delivery series)	W:5.0x3.2 T:7.0x5.0	E: 3.3 J: 2.5	M: Multiplier Freq with pin 2 Tri-State N: Multiplier Freq. with PIN 1 Tri-State	D: ±25 G: ±50 H: ±100		J: CMOS 15pF / 50±5% L: LVPECL / 50±5% V: LVDS / 50±5%					

**O Y E T C C J A N F – 13.000000**

\*Not all combinations of options are available.

### Example: OYETCCJANF-13.000000

Type	Oscillator
Package	2.5 x 2.0 mm
Supply Voltage(V)	3.3 V
Tri-State .	Fixed-Freq.
Freq. Stability	±20ppm
Temp Range	-20~+70 °C
Output	CMOS 15 pF / Symmetry 50±5%
Oscillator Mode	AT Fundamental
Appearance	Normal Appearance
Lead Free	RoHs Compliant
Frequency	13.000000 MHz