

Main Feature

- RoHS compliant
- Seam Sealed Ceramic SMD type
- Cross Ref. No. ASF and more



5.0*3.2*1.3mm

Application

- Communication, Test equipment
- Computers, Modems, Microprocessors

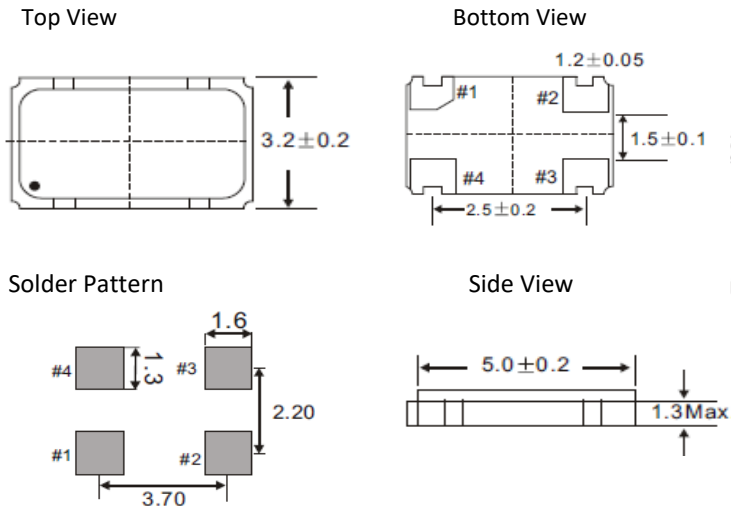
Standard Specification

Frequency Range: 1.0000MHz ~ 125.000MHz
 Frequency Tolerance (at 25°C): ±10~ ±100ppm
 Supply Voltage: 3.3V (Typ.) or Specify 1.8V, 5.0V
 Frequency Stability: ±10 ~ ±100ppm
 Operating Temperature: -0°C~ +70°C OR -40°C~ +85°C
 Symmetry: 40/60 or 45/55
 Storage Temperature: -55 °C~ +125°C
 Aging (at 25°C): ±5ppm Max.
 Output Load: 1-10TTL//15pF or HCMOS 15pF; 30pF; 50pF
 Start up Time: 10 ms Max.
 Rise/Fall Time: 10 ns Max.
 Output Voltage: 10% Max. and 90% Min.
 Package: 1000pcs/Reel

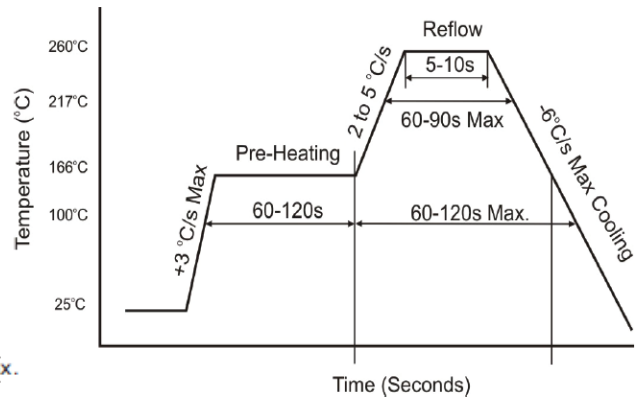
Supply Current

Frequency Range in MHz	Current Max. (mA)
1.00~35.999	25
36.00~69.999	60
70.00~125.00	80

Dimension (Unit: mm)



Reflow Profile Condition(260 °C Max.)



Connection

#1: NC #2 Ground #3 Output #4 Vdd

TGS part No. Guide

TGS	COM53	5 0	C B H	01	T LF	XX	-27M0000
	1	2 3	4 5 6	7	8 9	10	11

- 1) COM53: TGS Part Family No.
- 2) Supply Voltage; 5-5.0V; 3-3.3V; 1- 1.8V
- 3) Tri-state: 1-Yes; 0-None
- 4) Frequency Stability: A+/-25ppm; B: +/-50ppm; C: +/-100ppm; J+/-20ppm
- 5) Operating Temp: D-0~70 C; E: -10 ~+60 C; F: -20 ~+70 C; G: -40 ~+85 C
- 6) Symmetry: H: 40/60; I: 45/55
- 7) Output Load: 01: 1-10TTL//15pF; 03:HCMOS 15pF; 04: HCMOS 30pF; 05: HCMOS 50pF
- 8) T: Tape/Reel 9) LF: RoHS compliant 10) XX: 2 letters as Internal Control Code
- 11) Frequency Range in MHz or specify