

Main Fetaure

- RoHS Compliant
- Cross Ref. No. AB26TRB and more

Application

- Communication Equipment
- Measurement Instrument etc.
- Computer Clock and Industrial Application



6.0*2.0mm

Standard Specification

Frequency Range: 30.000KHz ~153.600KHz
 Frequency Tolerance (at 25°C): ±10~ ±100ppm
 Load Capacitance: 12.5pF (Typ.) or Specify
 Frequency Coefficient: -0.038ppm/°C Max.
 Operating Temperature: -40°C~ +85°C or Specify
 Equivalent Series Resistant: see Table 1
 Storage Temperature: -40 °C~ +85°C (typ.)
 Aging (at 25°C): ±5ppm Max.
 Shunt Capacitance (C0): 2.0pF Max.
 Drive Level: 1.0μW Max.
 Package: in Tape/Reel

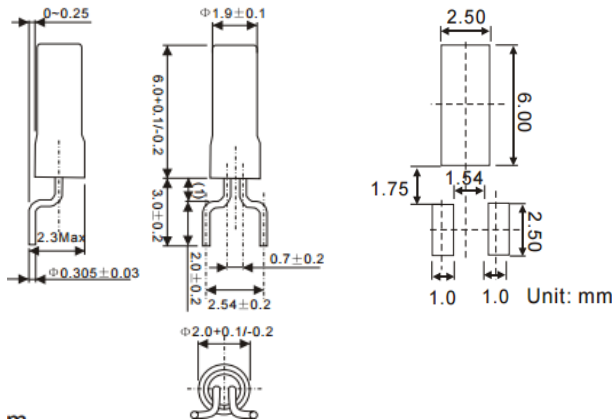
Standard ESR Table 1

Frequency Range in KHz	ESR Value in KOhm Max.
30.00~39.9990	50
40.000~59.9990	40
60.000~69.999	35
70.000~99.9990	35
100.000~153.60000	30

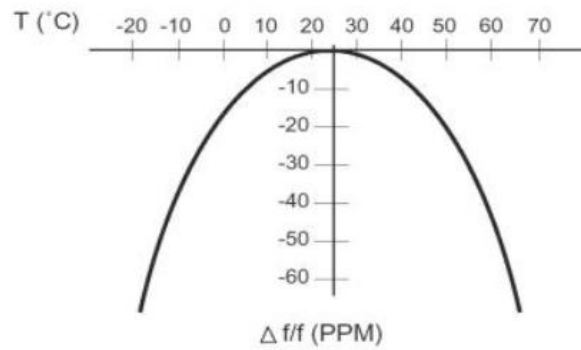
Regular Frequency List in KHz

32.7680	75.0000	153.6000
---------	---------	----------

Dimension (Unit: mm)



Temperature Coefficient



TGS part No. Guide

TGS	CCMB	32K768A	50-	12.5-	40-	50 T LF XX
	1	2 3	4	5	6	7 8 9 10

- 1) CCMB: TGS Part Family No.
- 2) 32K768: Frequency Range in KHz or specify
- 3) A: Oscillator Mode- A: AT- Cut Fund
- 4) 50: Frequency Tolerance in +/-50ppm or specify
- 5) 12.5: Load Capacitor in pF or specify
- 6) 40: Operating Temp. in -40°C~ + 85°C or specify
- 7) 50: ESR Max. in 50 Kohm or see table 1
- 8) T: In Tape/Reel
- 9) LF: Lead Free and RoHS compliant
- 10) XX: 2 letters as Internal Control Code