

## Main Feature

- RoHS/RoHS II compliant, Pb in High Temp. Solder (exempt per RoHS 2002/95/EC Annex (7))
- Cross Ref. No. AB308R and more

## Application

- Communication Equipment
- Measurement Instrument etc.



Φ3.0\*8.0mm

**RoHS/RoHS II Compliant**

Pb in high temperature solder (exempt per RoHS 2002/95/EC Annex (7))

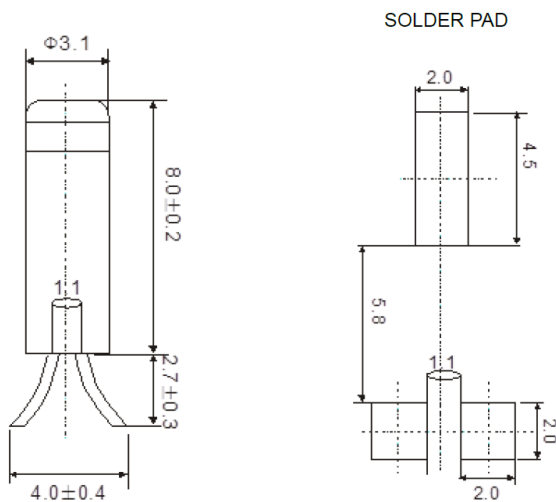
## Standard Specification

Frequency Range: 4.0000MHz ~ 70.000Hz  
 Frequency Tolerance (at 25°C): ±10~ ±50ppm  
 Load Capacitance: 18pF (Typ.) or Specify  
 Frequency Stability: ±10 ~ ±100ppm  
 Operating Temperature: -20°C~ +70°C and -40°C~ +85°C  
 Equivalent Series Resistant: see Table 1  
 Storage Temperature: -40 °C~ +85°C (typ.)  
 Aging (at 25°C): ±5ppm Max.  
 Shunt Capacitance (C0): 7.0pF Max.  
 Drive Level: 100μW Typ.  
 Package: 1000pcs/Reel

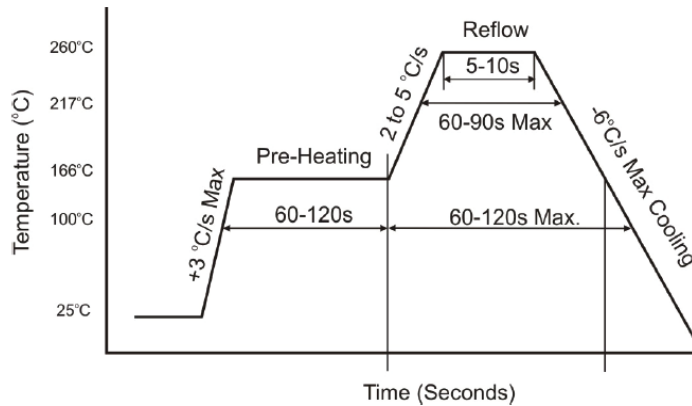
## Standard ESR Table 1

Frequency Range in MHz	ESR Value in Ohm Max.
4.000~5.9999	150
6.000~11.999	100
12.000~32.000(Fund.)	50
30.000~35.999 (3rd OT)	100
33.000~70.000(3rd OT)	80

## Dimension ( Unit: mm)



## Reflow Profile Condition(260 °C Max.)



## TGS part No. Guide

TGS	CCMG	8M0A	50-	18-	50-	40-	100	T	LH	XX
	1	2 3	4	5	6	7	8	9	10	11

- 1) CCMG: TGS Part Family No.
- 3) Oscillator Mode- A: AT- Cut Fund. ; B: Bt-Cut; C: 3rd OT
- 5) 18: Load Capacitor in pF or specify
- 7) 40: Operating Temp. in -40°C~ +85°C or specify
- 9) T: Tape /Reel
- 11) XX: 2 letters as Internal Control Code

- 2) 8M0: Frequency Range in MHz or specify
- 4) 50: Frequency Tolerance in +/-50ppm or specify
- 6) 50: Frequency Stability in +/-50 ppm or specify
- 8) 100: ESR Max. in 50 ohm or see table 1
- 10) LH: RoHS/RoHS II compliant, Pb in High Temp. Solder (exempt per RoHS 2002/95/EC Annex (7))