

**Main Feature**

- RoHS Compliant
- Cross Ref. No. CM415, AB09 ,DST410S, FC-145 and more

**Application**

- Communication Equipment
- Measurement Instrument etc.
- Computer Clock and Industrial Application

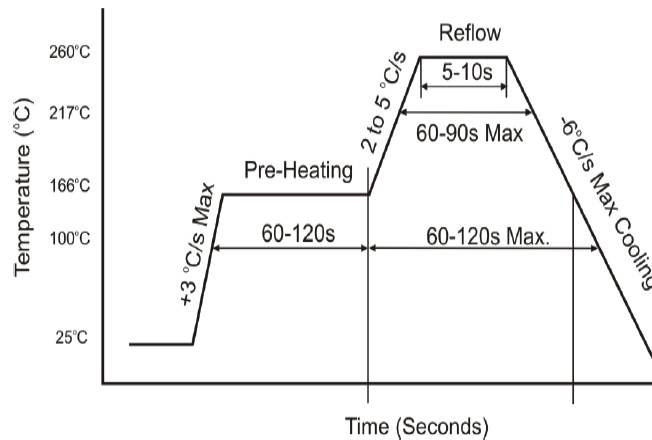


4.1\*1.5\*0.75mm

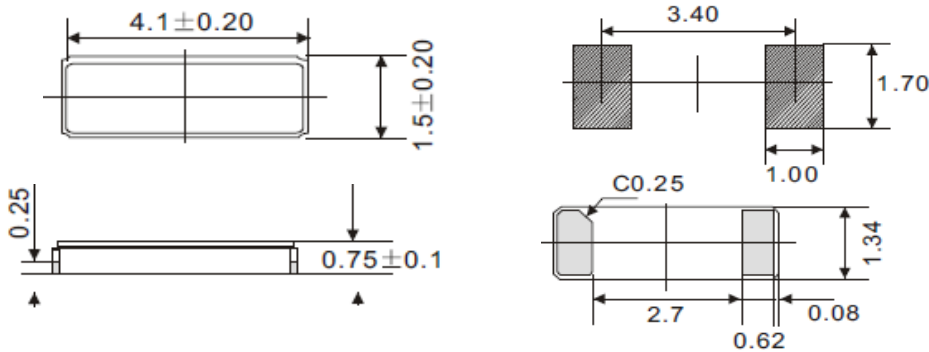
**Standard Specification**

Frequency Range: 32.768KHz  
 Frequency Tolerance (at 25°C): ±10~ ±50ppm  
 Load Capacitance: 12.5pF (Typ.) or Specify  
 Frequency Coefficient: -0.040 ppm/°C Max.  
 Operating Temperature: -40°C~ +85°C  
 Equivalent Series Resistant: 70 kOhm Max.  
 Storage Temperature: -40 °C~ +85°C (typ.)  
 Aging (at 25°C): ±3ppm Max.  
 Shunt Capacitance (C0): 2.0pF Max.  
 Drive Level: 1.0µW Max.  
 Package: Tape/Reel

**Reflow Profile Condition(260 °C Cmax.)**



**Dimension ( Unit: mm)**



**TGS part No. Guide**

TGS	CCMJ	32K768A	50-	12.5-	40-	70T LF XX
	1	2 3	4	5	6	7 8 9 10

- 1) CCMJ: TGS Part Family No.
- 3) A: Oscillator Mode- A: AT- Cut Fund
- 5) 12.5: Load Capacitor in pF or specify
- 7) 70: ESR Max. in 70 Kohm .
- 8) T: Tape /Reel
- 9) LF: RoHS complaint
- 10) XX: Internal Control Code
- 2)32K768: Frequency Range in KHz
- 4) 50: Frequency Tolerance in +/-50ppm or specify
- 6) 40: Operating Temp. in -40°C~ + 85°C or specify