

FV7-Series 7.00 x 5.00 x 1.90 (mm)

Wi2Wi's FV7-Series "Fast Turn" VCXO's are ideally suited for use in Telecom, Ethernet and Fiber Channel applications, as well as High Speed Video, Graphics, Test and Measurement Equipment, and Aviation including MIL temperature ranges. Wi2Wi provides "Fast" sampling for your proto-typing needs in days, and mass production quantities in just a few weeks.

• Features

1. Miniature **7.0 x 5.0 x 1.9mm** hermetically sealed package.
2. **LVC MOS, LVDS** or **LVPECL** Output with **Voltage Control** function.
3. Low **Jitter** and **Phase Noise**.
4. **RoHS** and **REACH** Compliant.

• Electrical Specifications

Parameter		Supply Voltage (±10%)		Units V
		3.3	2.5	
Frequency Range	Low (LVCMOS/LVDS/LVPECL)	10.000000		MHz
	High (LVCMOS)	200.000000		
	High (LVDS/LVPECL)	1500.000000		
Frequency Stability (Please Specify)	All Causes (Maximum) * ¹	±50, ±100		ppm
Frequency Adjustment	Control Voltage	10 Min, 50 Typ, 90 Max		% Vcc
	Absolute Pull Range (Minimum)	±50		ppm
	Linearity (Maximum)	10		%
	Input Impedance (Minimum)	1.0M		Ω
	Modulation Bandwidth @-3dB (Min)	10		KHz
Temperature Range (Please Specify)	Operating	0 to +70, -20 to +70, -40 to +85		°C
	Storage	-55 to +125		°C
Supply Current (Maximum, no Load)		25 (LVCMOS), 65 (LVDS/LVPECL)		mA
Load		See Load/Test Circuits (Page 2)		
Duty Cycle (at 50% Vcc)		45 to 55		%
Rise/Fall Times (Maximum under Load)		3.0 (LVCMOS), 0.6 (LVDS/LVPECL)		nS
Start up Time (Maximum)		15.0		mS
Output Voltage Levels (LVCMOS)		90 Min (High), 10 Max (Low)		% Vcc
Output Voltage Levels (LVDS)	High	1.43 Typ, 1.60 Max		V
	Low	0.90 Min, 1.10 Typ		
	Differential Voltage	250 Min, 350 Typ, 450 Max		
Output Voltage Levels (LVPECL)	High	Vcc-1.025 Min, Vcc-0.95 Typ, Vcc-0.88 Max		V
	Low	Vcc-1.810 Min, Vcc-1.70 Typ, Vcc-1.62 Max		
	Differential Voltage	595 Min, 750 Typ, 930 Max		
Pin 2 (Tri-State Option Only)		80 (Enable), 10 (Tri-State, Disable)		% Vcc
Phase Jitter Maximum (rms)	12KHz to 20MHz	0.6 (Fractional Divider), 0.4 (Integer Divider)		pS
Period Jitter Maximum (rms)		2.5		pS

*1 - Inclusive of Tolerance @25°C, Operating Temperature, Supply Voltage, Load, 1st Year Aging, Shock and Vibration.

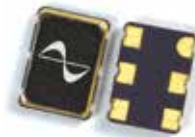
• Part Numbering Guide

ex) **FV7-T-25000X-C-C-D-3-R-X***

* - for standard or assigned for customization.

<p>ENABLE T = Tri-State N = No Connect</p>	<p>FREQUENCY 10000X-99999X = 10.000 MHz – 99.999 MHz C10000-C99999 = 100.00 MHz – 999.99 MHz M10000-M15000 = 1000.00 MHz – 1500.00 MHz</p>	<p>OUTPUT O = LVCMOS M = LVDS P = LVPECL</p>	<p>FREQUENCY STABILITY C = ±50 D = ±100 S = Special</p>	<p>OPERATING TEMPERATURE A = 0 to +70°C B = -20 to +70°C D = -40 to +85°C M = -55 to +105°C** E = -55 to +125°C** S = Special</p>	<p>SUPPLY VOLTAGE 2 = 2.5 3 = 3.3</p>	<p>PACKAGE R = Tape & Reel</p>
---	---	---	--	--	--	---

** - Only available with D (±100ppm) Frequency Stability.



Wi2Wi, LLC

Phone: 1-800-274-9825

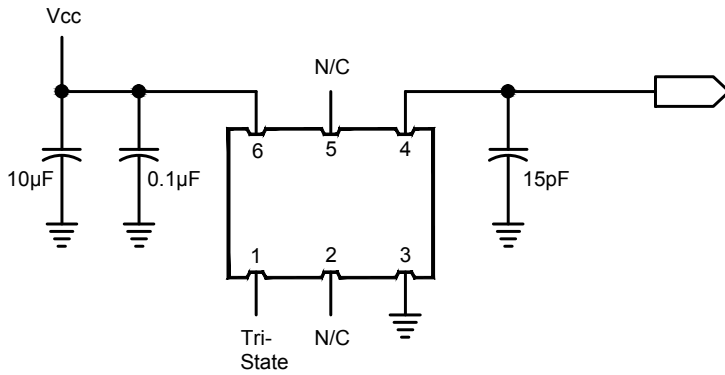
Phone: 1-608-831-4445

Fax: 1-608-831-3343

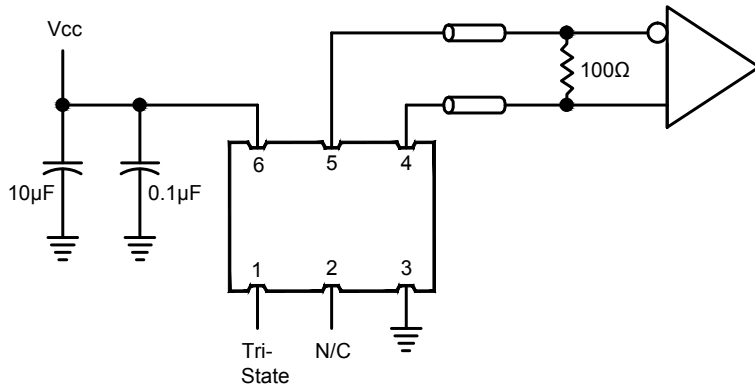
E-Mail: sales@wi2wi.com

Web: <http://wi2wi.com>

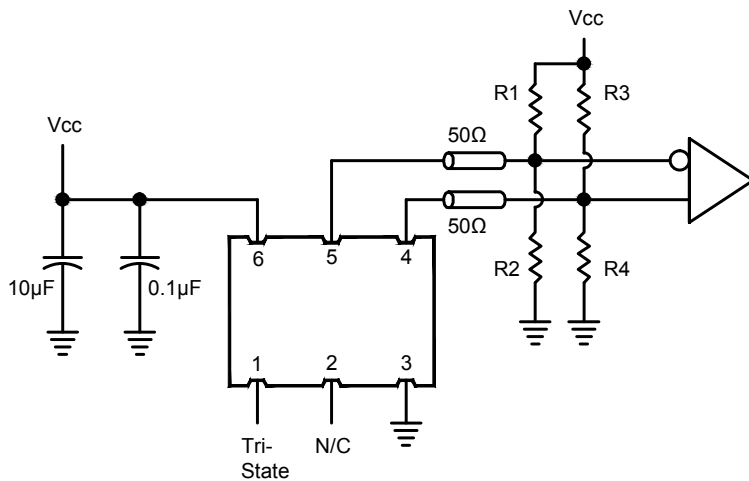
Load/Test Circuits



LVCMOS Test Circuit



LVDS Test Circuit



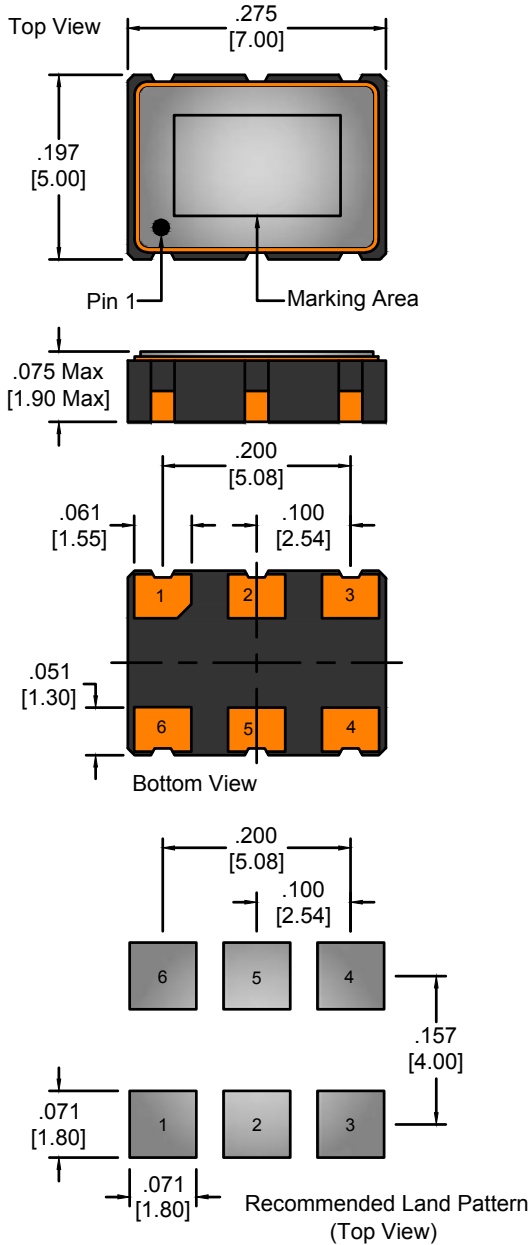
LVPECL Test Circuit

Vcc @ 3.3V: R1/R3 = 127Ω , R2/R4 = 82.5Ω
 Vcc @ 2.5V: R1/R3 = 250Ω , R2/R4 = 62.5Ω

FV7-Series 7.00 x 5.00 x 1.90 (mm)

• PACKAGE DIMENSIONS

Tolerance: ±.008 [.20mm] (Unless otherwise specified)

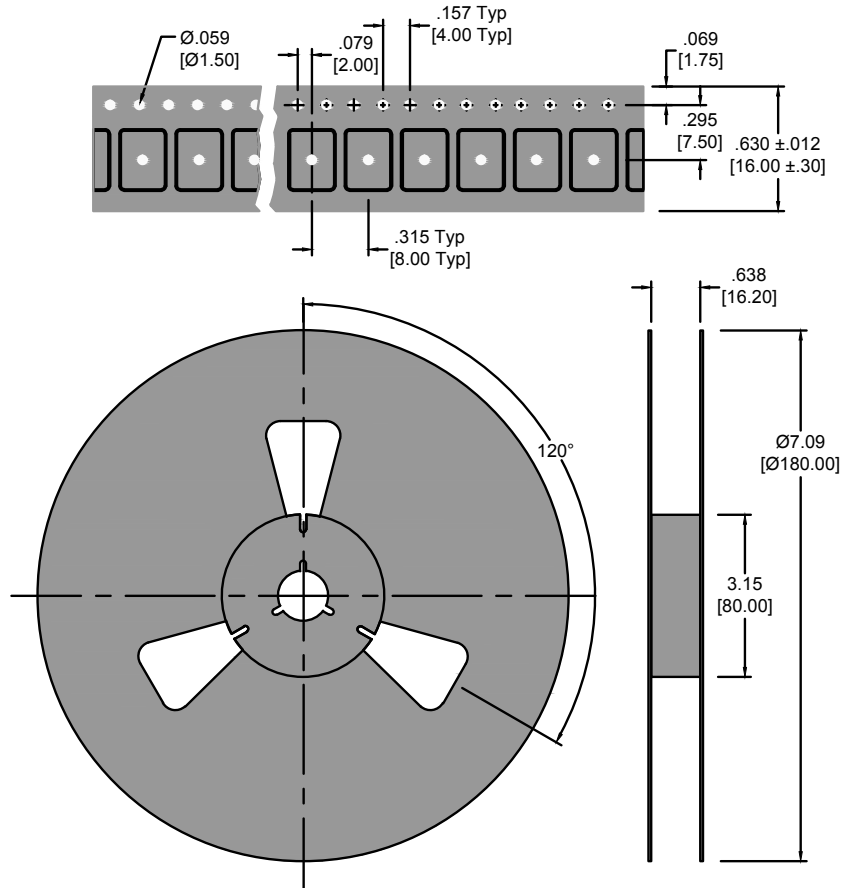


PIN	CONNECTION
1	Voltage Control
2	Tri-state
3	Ground/Case
4	Output
5	Complementary Output (LVDS & LVPECL) No Connect (LVCMOS)
6	Supply Voltage

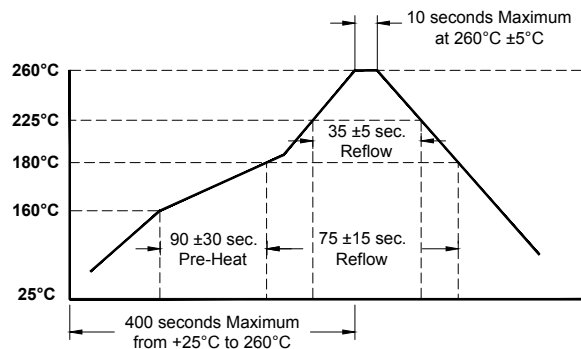
Contacts:

Electro Au, 11.8 to 40.0 μinches (.30 to 1.0 μm) over
Electro Ni, 50 to 350 μinches (1.27 to 8.89 μm)

• TAPE & REEL



• REFLOW PROFILE



All product is supplied **RoHS and REACH** compliant.
Specifications subject to change without notice.